

CDOE ring led latching 19mm spdt black shell push button switch

CATEGORIES

- New Products Switch
- High current button switch +
- Push Button Switch +
- Micro Travel PushButton +
- Touch Switch And Piezo Switch
- Emergency Stop Switch +
- Indicator Light +
- Key switch and Rotary switch
- Buzzer
- Switch Accessories

FEATURED PRODUCTS

- Chinese manufacturer button...
- industrial button product 1...
- push button suppliers 22mm ...
- custom buttons 19MM Aluminu...
- push to start 22mm mushroom...



SHORT DESCRIPTION:

Product Model: HBDS1-D19C-11E(Z)/J/T/B/T19
Mounting Hole Size: 19MM
Switch Value: Ith: 10A, UI: 250V
Operation Type: Momentary, Latching
Min.Order Quantity: 20 Piece/Pieces
Method Of Payment: T/T(Wire transfer), Paypal, Credit card
Related video: [Click](#)
Available equipment: Elevators, charging piles, automation equipment, motor vehicles, yachts, access control, automatic guided vehicles, lathes, lifts, lawn mowers

SEND EMAIL TO US



Product Description: Superior Performance in a Compact Design

Introducing our 22mm **black momentary push button switch**, a reliable and versatile component designed to meet your specific needs. Whether you're seeking momentary or latching operation, this switch has you covered. Crafted with precision and attention to detail, it offers exceptional performance in a compact package.

Robust Construction for Durability

This switch is built to last. With a mounting hole of 22mm and a sturdy aluminum alloy shell, it can withstand the most demanding environments. The electroplating oxidation finish not only adds a touch of elegance but also provides extra durability against wear and tear.

Multi-Color LED Options

Customize your visual indicators with our black momentary push button switch. It comes with LEDs in red, green, and blue. Additionally, if your application demands tri-color LEDs, we can provide that too. These LEDs offer clear and distinct feedback for your control systems.

Waterproof and Versatile Contact Configuration

With an IP67 waterproof rating, this switch can handle wet and dusty conditions without compromising functionality. It features 1NO1NC contact configuration, ensuring compatibility with various applications.

Easy Installation with Connector Included

For your convenience, each switch comes with a pin terminal connector, making installation a breeze. We believe in delivering not just outstanding products but also a hassle-free experience for our customers.

Choose Quality and Reliability

When you opt for our black momentary push button switch, you're choosing quality and reliability. This switch is meticulously engineered to provide consistent performance, and its versatile design ensures it can meet your specific requirements.

Upgrade Your Control Systems

Ready to enhance your control systems with the versatile and durable 22mm black momentary push button switch? Look no further. Contact us today to learn more and explore how this switch can elevate your applications.

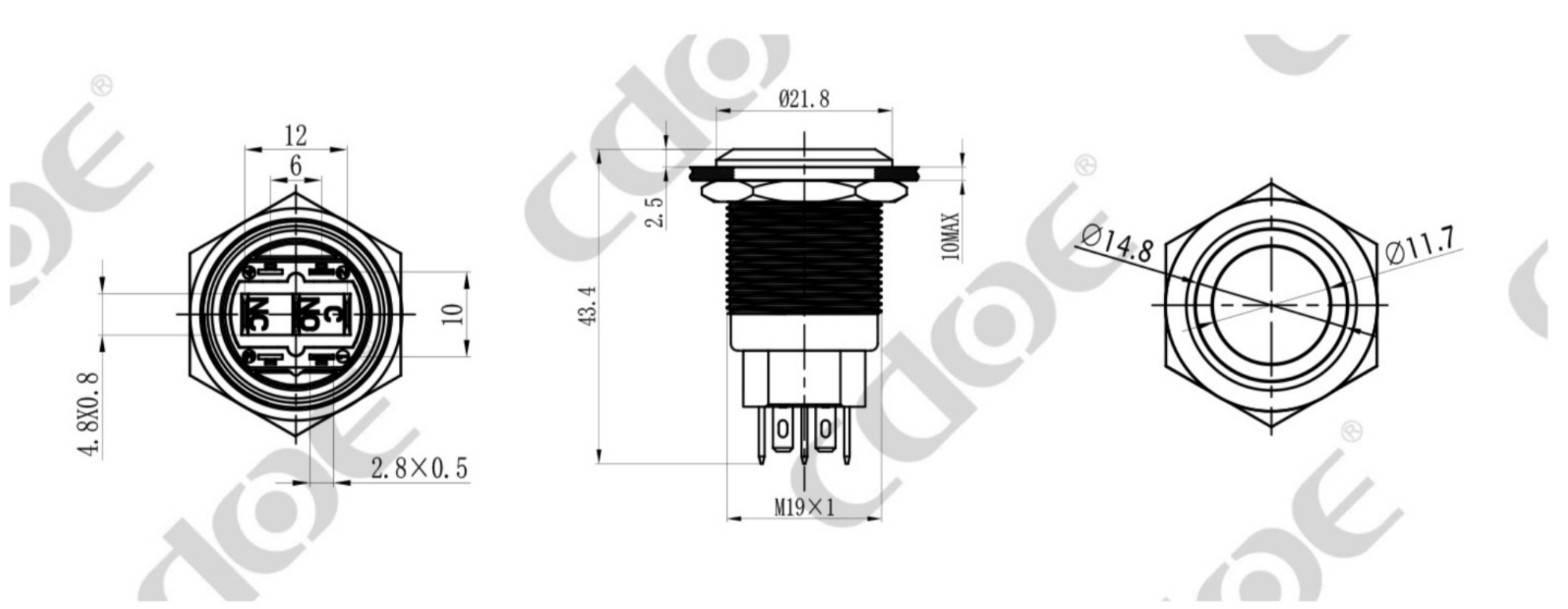
Product Model Specification:

Model Description: HBDS1-D ☆ ○ □ ◇ ■ / ◆ / ○ / ★ / ▲ / △

For example: HBDS1-D22C-11EZ/J/S/R/DC12V/R

HBDS1-D Series number	Yueqing Dahe company internal product code
☆ Mounting hole size	22: φ22mm;
○ Head shape	C: Concave; F: Flat round head;
□ Contact combination	11: 1NO1NC;
◇ LED type	E: Ring LED; ET: Ring and power symbol LED; P: Plastic big button surface without LED; DP: Plastic big button surface with LED; PT: Customized symbol without LED(Plastic); DPT: Customized symbol with LED(Plastic); No letters: Without LED
■ Operation type	No letters: Momentary; Z: Latching;
◆ Wiring Type	J: Pin terminal;
◎ Shell material	S: Stainless steel; PH: Engineering plastic;
★ Shell plating color	R: Red G: Green Y: Yellow O: Orange B: Blue W: White H: Black
▲ LED voltage	AC/DC6V; AC/DC12V; AC/DC24V; AC/DC36V; AC/DC110V; AC/DC220V
△ LED color	R: Red G: Green Y: Yellow O: Orange B: Blue W: White RG: Red+Green RB: Red+Blue RGB: Red+Green+Blue

Product Size:



Technical Parameter:

HBDS1-D19C black momentary push button switch	
Product model :	HBDS1-D19C-11E(Z)/J/T/B/T19
Mounting hole size :	19MM
Switch value:	Ith:10A,UI:250V
Operation type:	Momentary,Latching
Contact configuration:	1NO1NC
Appearance material:	Head: Aluminium alloy; Switch button surface: Aluminium alloy; Base: Plastic PA66; Contact: Silver alloy;
Terminal type:	Pin terminal
Connection form:	Supporting connector/Welding wire;
Lamp bead parameters	
Rated voltage :	6V/12V/24V/36V/110V/220V;(Other voltages can be customized)
Rated current:	≤20mA
Led color:	Red/Green/Yellow/Orange/Blue/White/RG/RB/RGB
Led life:	50000 hours
Protection grade:	IP67