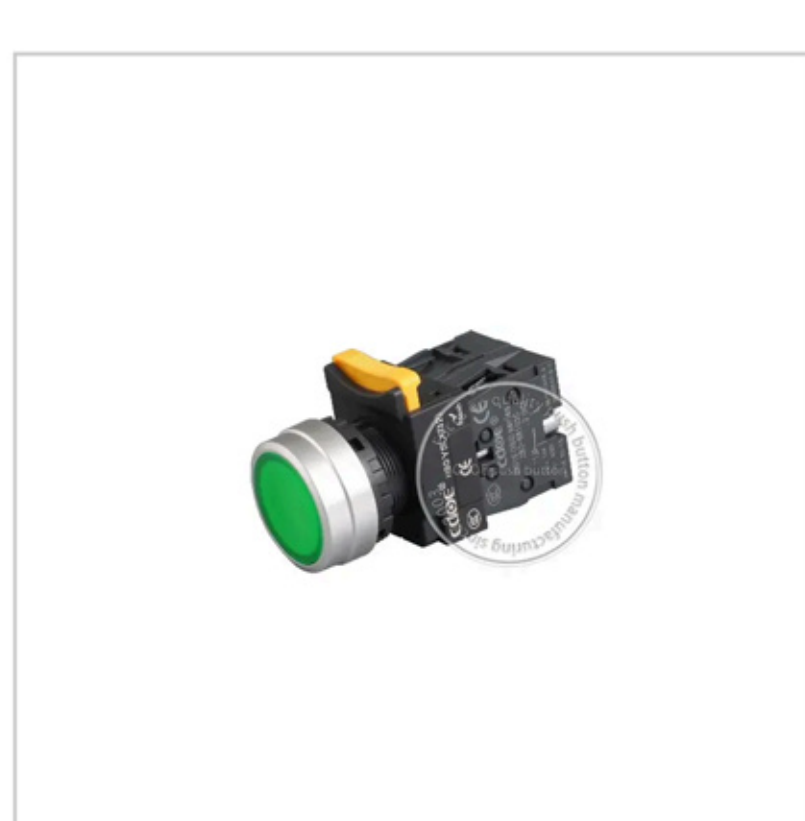


CDOE 201 series IP65 normally open plastic push button switch 22mm 10a 660v

- CATEGORIES**
- New Products Switch
 - High current button switch
 - Push Button Switch
 - Micro Travel PushButton
 - Touch Switch And Piezo Switch
 - Emergency Stop Switch
 - Indicator Light
 - Key switch and Rotary switch
 - Buzzer
 - Switch Accessories



SHORT DESCRIPTION:

Product Model: HBDY5-KW-11/201
Mounting Hole Size: 22MM
Switch Value: Ith: 10A, UI: 600V
Operation Type: Momentary, Latching
Min.Order Quantity: 10 Piece/Pieces
Method Of Payment: T/T(Wire transfer), Paypal, Credit card
Related video: [Click](#)
Available equipment: Elevators, charging piles, automation equipment, motor vehicles, yachts, access control, automatic guided vehicles, lathes, lifts, lawn mowers

- FEATURED PRODUCTS**
- Chinese manufacturer button...
 - industrial button product 1...
 - push button suppliers 22mm ...
 - custom buttons 19MM Aluminu...
 - push to start 22mm mushroom...

Main selling

- Metal push button
- Signal lamp
- High current switch(Xb2,LA38)
- Micro button switch
- Emergency stop pushbutton

CDOE Push Button
Focus on Quality Push Button manufacturing since 2003

Product description:

Experience Versatility and Performance
 Step into a realm of versatile control solutions with our Push Button 10A switches. Designed with a 22mm mounting hole and crafted from durable plastic, these switches offer reliability and performance for a wide range of applications.

Robust Ratings for Dependable Operation
 With a 10A/600V rating, our switches are engineered to handle demanding loads with ease, ensuring dependable operation even in challenging environments. Whether it's a momentary or latching operation, these switches deliver consistent performance.

Flexible Contact Configurations
 Featuring 1NO, 1NC, and 1NO1NC contact types with screw terminals, our switches offer versatile options for wiring configurations, catering to your specific needs with ease.

Customize Your Control
 Choose from a range of head colors including Red, Green, and Blue, and head types such as Flat head, High head, Mushroom head, Rotary switch, Key switch, and Emergency stop. Personalize your control panel to match your preferences and requirements.

Enhance Your Control Solutions Today
 Elevate your control experience with our Push Button 10A switches. Whether it's for industrial machinery, automation systems, or consumer electronics, trust in our switches to deliver unmatched versatility, reliability, and performance.

HBDY5-201 series 10A/600v

- HBDY5-KW-□□/△/201 Ø22mm Flat head push button (Momentary/Latching)
- HBDY5-KW-□□□/△/201 Ø22mm Flat head push button with LED (Momentary/Latching)
- HBDY5-KW-□□□/△/201 Ø22mm High head push button (Momentary/Latching)
- HBDY5-KW-□□□/△/201 Ø22mm High head push button with LED (Momentary/Latching)
- HBDY5-KW-□□□/△/201 Ø22mm Mushroom button (Momentary/Latching)
- HBDY5-KW-□□□/△/201 Ø22mm Mushroom button with LED (Momentary/Latching)
- HBDY5-KA-□□□/IR/201 Ø22mm Emergency stop switch (Latching)
- HBDY5-KA-□□□/IR/201 Ø22mm High head push button (Momentary/Latching)
- HBDY5-KA-□□□/IR/201 Ø22mm High head push button with LED (Momentary/Latching)
- HBDY5-KA-□□□/IR/201 Ø22mm Mushroom button (Momentary/Latching)
- HBDY5-KA-□□□/IR/201 Ø22mm Mushroom button with LED (Momentary/Latching)
- HBDY5-KA-□□□/IR/201 Ø22mm Emergency stop switch (Latching)
- HBDY5-KA-□□□/IR/201 Ø22mm Selector switch (Latching)
- HBDY5-KA-□□□/IR/201 Ø22mm Long handle selector switch (Latching)
- HBDY5-KA-□□□/IR/201 Ø22mm Key switch (Latching)

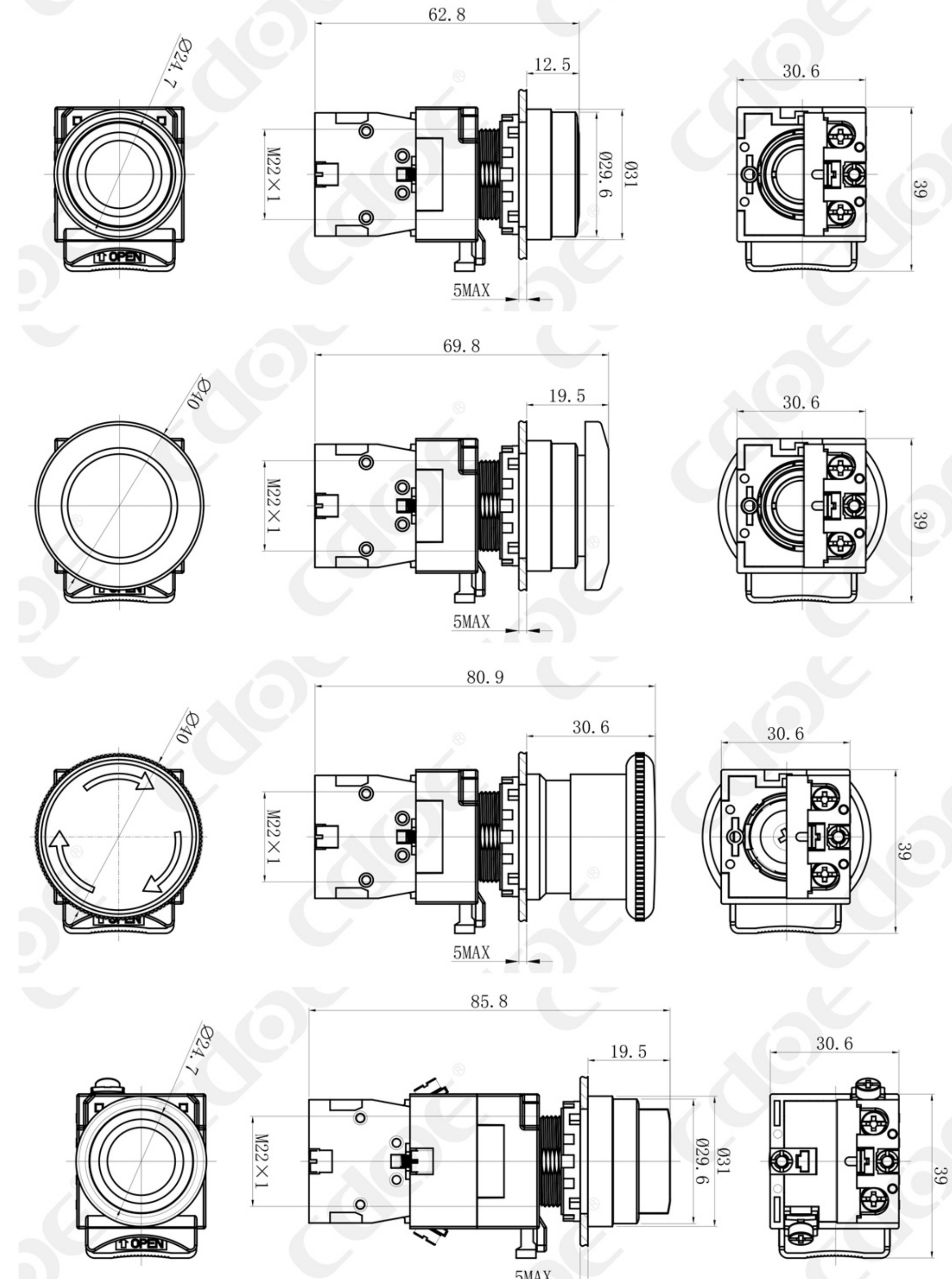
Product Model Specification:

Model Description: HBDY5- ☆ - □ - □ / ◆ / ● / ○ / ▲ / △

For example: HBDY5-KA-10DZ/C/DC6V/R

| | | |
|-------|---------------------|--|
| HBDY5 | Series number | Yueqing Dahe company internal product code |
| ☆ | Mounting hole size | KA: Plastic head; KB: Metal head; KS: φ30 Metal head |
| □ | Contact combination | 10: 1NO; 01: 1NC; 11: 1NO1NC; 22: 2NO2NC; 33: 3NO3NC; 44: 4NO4NC |
| ◇ | LED type | No letters: Flat head without LED; D: Flat round head with LED; G: High head without LED; GD: High head with LED; F: Colored Ring (Metal head); E: Ring LED (Metal head); M: Mushroom head without LED; MD: Mushroom head with LED; PT: Customized symbol without LED(Plastic); DPT: Customized symbol with LED(Plastic) |
| ■ | Operation type | No letters: Momentary; Z: Latching; X: Selector (Rotary) switch without LED; Y: Key switch; TSA: Emergency stop switch (φ30mm head); TS: Emergency stop switch (φ40mm head); TSD: Emergency stop switch (φ40mm head); TSC: Emergency stop switch (φ60mm head) |
| ◆ | Operation position | ◆ Selector switch and key switch operation position: 2: Two position; 3: Three position ● Selector switch and key switch action type: 1: Keep type; 3: Right self-reset and left self-reset; |
| ◎ | Head material | C: Chrome-plated brass; S: Stainless steel; T: Aluminum alloy |
| ▲ | LED voltage | AC/DC6V; AC/DC12V; AC/DC24V; AC/DC36V; AC/DC110V; AC/DC220V |
| △ | LED color | ■ R: Red ■ G: Green ■ Y: Yellow ■ O: Orange ■ B: Blue ■ W: White |

Product Size:



Technical Parameter:

| HBDY5-KW-11(10)/201 series push button 10a | |
|--|---|
| Product model : | HBDY5-KW-11(10)/201 series |
| Mounting hole size : | 22mm |
| Switch value: | Ith:10A,UI:600V |
| Operation type: | Momentary,Latching |
| Contact configuration: | 1NO,1NC,1NO1NC,2NO2NC |
| Appearance material: | Head:Plastic; Switch button surface:PC; Contact:Silver alloy; |
| Terminal type: | Screw terminal |
| Head type: | Flat head,High head,Mushroom head,Emergency stop,,etc |